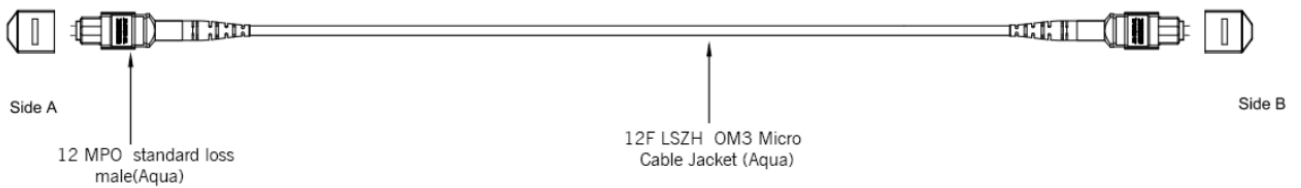


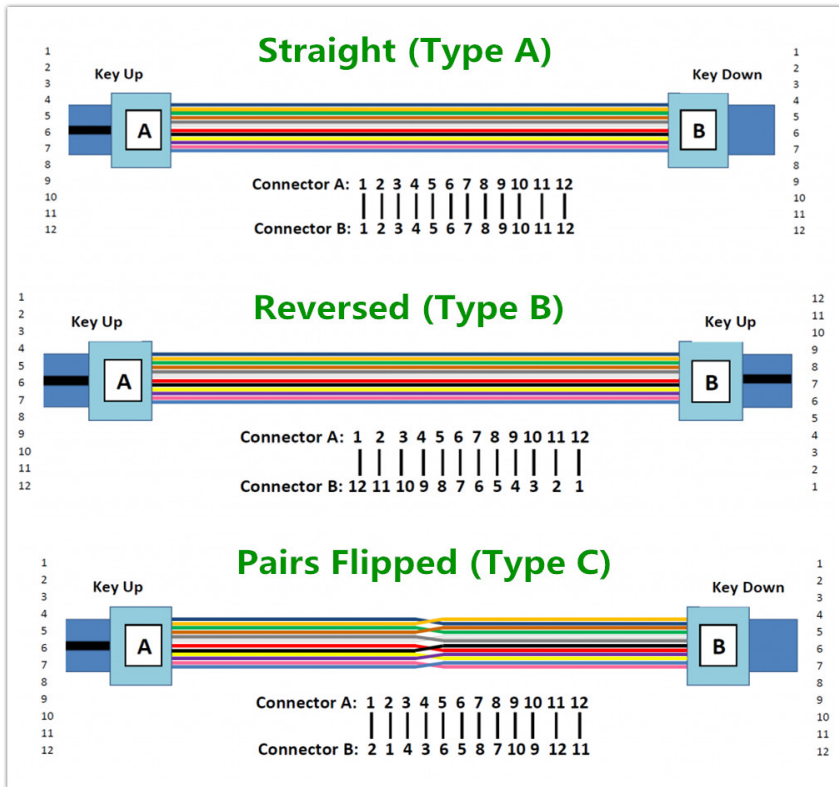
MPO to MPO MM OM3 LSZH 3.0mm Patch cord

MPO-MPO Cable

MPO trunk cable, a cost-effective alternative to time-consuming field termination, is designed for high-density fiber patching in data centers which need space saving and reduce cable management troubles.



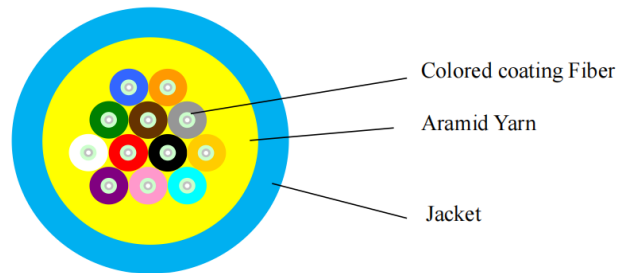
Type: Polarity MPO Cable



Connector Technical Parameter

Model		MM
Connector A:MPO		
Connector Fiber Count		12 Cores
Polish		PC
Insertion Loss	Standard Loss	≤0.50dB
	Elite Low Loss	≤0.35dB
Return Loss		≥25dB
Durability(500 Matings)		≤0.2dB
Test Wavelength		850/1300nm
Connector B:MPO		
Polish		PC
Insertion Loss	Standard Loss	≤0.50dB
	Elite Low Loss	≤0.35dB
Return Loss		≥25dB
Durability(500 Matings)		≤0.2dB
Test Wavelength		850/1300nm

Cable Structure Diagram



Cable Dimensions and Constructions

Items		Descriptions
Optical Fiber	Fiber count	12
	Color	Optical Fiber Chromatography
Strength Member	Material	Aramid yarn
Sheath	Material	LSZH
	Color	Customize according to customer
	Diameter	3.0±0.10mm

Mechanical and Environmental Characteristics

Items		Descriptions	
Tensile Strength		short-term	370N
		long-term	110N
Crush Resistance		short-term	500N/100mm
		long-term	100 N/100mm
Temperature Range		- 2 0 C+ 6 0 C	
Bending Radius	Dynamic	≥20D	
	Static	≥10D	

Fiber Attenuation

The properties of multimode optical fiber (ITU-T Rec. OM3)

Characteristic	Condition	Data	Unit
Optical properties			
Attenuation	850nm	≤2.4	dB/km
	1300nm	≤0.6	dB/km
Full injection bandwidth	850nm	≥1500	MHz•Km
	1300nm	≥500	MHz•Km
Numerical aperture		0.200±0.015	
Zero dispersion wavelength		1295-1340	nm
A zero-dispersion slope	1295-1310	≤0.105	ps/(nm ² .km)
	1310-1340	≤0.000375	ps/(nm ² .km)
Group refractive index	850nm	1.482	
	1300nm	1.477	
The macro bend additional attenuation 100 CircleΦ75mm 4 CircleΦ30mm	850nm	≤0.5	dB
	1300nm	≤0.5	dB
	850nm	≤1.0	dB
	1300nm	≤1.0	dB
Geometric characteristics			
Core diameter		50±2.5	μm
Core roundness		≤5.0	
Cladding roundness		≤1.0	%
Cladding diameter		125.0±1.0	μm
Coating diameter		245±7	μm
Coating / package concentricity error		≤10.0	μm
Coating roundness		≤6.0	%
Core / package concentricity error		≤1.5	μm
Fiber length		≤17.6	Km/axis
Backscatter characteristics(1300nm)			
Steps(Mean value of two-way measurement)		≤0.1	dB
The irregularity of the length direction and the discontinuity of the point		≤0.1	dB
Attenuation inhomogeneity		≤0.08	dB/km
Environmental characteristics (850nm、1300nm)			
Temperature additional attenuation	-60℃ ~+85℃	≤0.1	dB/km
Temperature-humidity cycle additional attenuation	-10℃ ~+85℃, 4%~98% Relative humidity	≤0.1	dB/km
Flooding additional attenuation	23℃, 30 days	≤0.1	dB/km
Dry heat additional attenuation	85℃, 30 days	≤0.1	dB/km
Hot and humid additional attenuation	85℃ and 85% Relative humidity, 30 days	≤0.1	dB/km
Mechanical properties			
Screening tension		≥9.0	N
		≥1.0	%
		≥100	kpsi
Dynamic fatigue parameters(Nd,Typical value)		27	

Packing

According to customer request.

Delivery Length

Standard Reel Length:0.5-2.0 km. ; According to customer request.

Marking

Cable Marker every Meter by

- Year of manufacture
- Type of Cable
- Number of fiber
- Cable length
- Etc

According to customer or our company request .